

# NexiusZoom

## HIGHLIGHTS

- Binocular and trinocular heads with HWF 10x/22 mm eyepieces
- Zoom ratio 1 : 6.7, 6.7x to 45x standard
- Ergonomic designed stands
- Double 3 W LED illumination
- Configurations up to 180x magnification
- Large working distance
- 10 years warranty

## TECHNICAL SPECIFICATIONS

### EYEPIECE(S)

- Pair of HWF 10x/22 mm eyepieces
- Adjustable diopter on both eyepieces

### HEAD

- Binocular or trinocular heads with 45° inclined tubes
- Both eyepieces with ± 5 diopter adjustments
- Interpupillary distance adjustable between 54 and 75 mm

### OBJECTIVE

- Zoom 1:6.7 objective with 0.67x to 4.5x magnifications
- Field of view from 33 mm to 4.9 mm
- Working distance 110 mm
- Auxiliary lenses 0.5x, 0.75x, 1.5x and 2.0x available
- All optics are anti-fungus treated and anti-reflection coated for maximum light throughput

### MAGNIFICATIONS

Working distance (WD) and field of view with standard HWF 10x / 22 High Wide Field eyepieces

Zoom indication	Standard objective 1x WD 110 mm		Auxiliary lens 0.3x WD 287 mm		Auxiliary lens 0.5x WD 165 mm		Auxiliary lens 0.75x WD 120 mm		Auxiliary lens 1.5x WD 45 mm		Auxiliary lens 2x WD 30 mm	
	Total magnification	Field of view in mm	Total magnification	Field of view in mm	Total magnification	Field of view in mm	Total magnification	Field of view in mm	Total magnification	Field of view in mm	Total magnification	Field of view in mm
0.67	6.7	32.8	2	109.5	3.35	65.7	5.0	44.0	10.0	22.0	13.4	16.4
0.7	7.0	31.4	2.1	104.8	3.5	62.9	5.3	41.9	10.5	21.0	14.0	15.7
0.8	8.0	27.5	2.4	91.7	4.0	55.0	6.0	36.7	12.0	18.3	16.0	13.8
1.0	10.0	22.0	3	73.3	5.0	44.0	7.5	29.3	15.0	14.7	20.0	11.0
1.5	15.0	14.7	4.5	48.9	7.5	29.3	11.3	19.6	22.5	9.8	30.0	7.3
2.0	20.0	11.0	6	36.7	10.0	22.0	15.0	14.7	30.0	7.3	40.0	5.5
3.0	30.0	7.3	9	24.4	15.0	14.7	22.5	9.8	45.0	4.9	60.0	3.7
4.0	40.0	5.5	12	18.3	20.0	11.0	30.0	7.3	60.0	3.7	80.0	2.8
4.5	45.0	4.9	13.5	16.3	22.5	9.8	33.8	6.5	67.5	3.3	90.0	2.4

### STAND

- Ergonomically designed pillar or rack & pinion stand with LED illumination and 2 object clamps
- Ergonomically designed universal or boom stands, without illumination
- Articulated arm stand for table mounting, without illumination
- Alloy metal cast, hardened off-white painted



### ILLUMINATION

- The 3 W transmitted and incident LED illuminators with internal power supply 100-240 V operation
- Both illuminators can be used simultaneously and the light intensities can be adjusted separately

### ESD SAFE MICROSCOPES

- Electrostatic protected microscopes for all kinds of industry, inspection and assembly applications
- Electrostatic discharge (ESD) is the unwanted sudden flow of electricity between two electrically charged objects
- ESD can cause a range of harmful effects as well as permanent damage to solid state electronics components
- Special electrostatic dissipative paint eliminating harmful electrostatic discharges makes the microscopes suitable for all static-sensitive environments



### PACKAGING

- Supplied with power cord, dust cover, eye cups, a spare fuse and user manual.
- All packed in a polystyrene box

### MODELS


	Binocular	Trinocular	Pillar stand	Rack & pinion stand	Universal stand	Boom stand	Articulated arm stand	Antistatic ESD	Weight (kg)
NZ.1902-P	•		•						5.0
NZ.1902-S	•			•					4.9
NZ.1902-U	•				•				15.6
NZ.1902-B	•					•			22.1
NZ.1902-A	•						•		8.6
NZ.1903-P		•	•						5.3
NZ.1903-S		•		•					5.1
NZ.1903-U		•			•				15.7
NZ.1903-B		•				•			22.2
NZ.1903-A		•					•		8.7




### ESD SAFE MODELS

	Binocular	Trinocular	Pillar stand	Rack & pinion stand	Universal stand	Boom stand	Articulated arm stand	Antistatic ESD	Weight (kg)
NZ.1902-P-ESD	•		•					•	5.0
NZ.1902-S-ESD	•			•				•	4.9
NZ.1902-U-ESD	•				•			•	15.6
NZ.1902-B-ESD	•					•		•	22.1
NZ.1903-P-ESD		•	•					•	5.3
NZ.1903-S-ESD		•		•				•	5.1
NZ.1903-U-ESD		•			•			•	15.7
NZ.1903-B-ESD		•				•		•	22.2




NZ.1903-P-ESD 

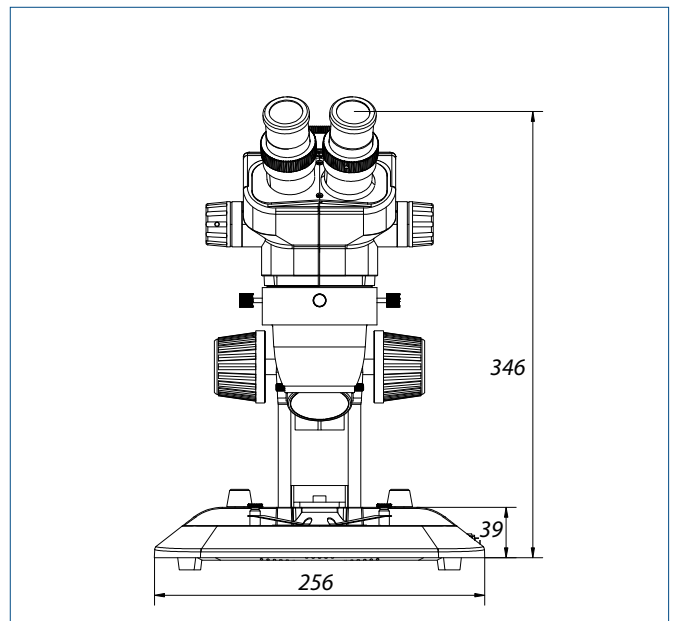
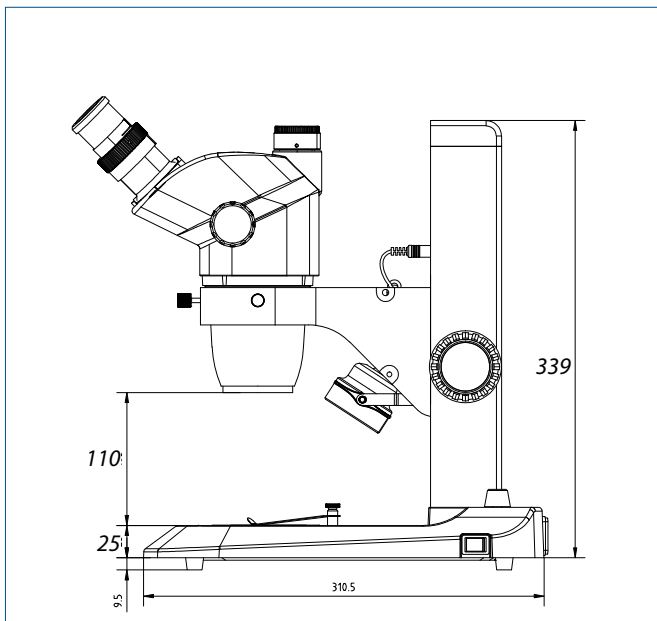


NZ.1903-S-ESD 



NZ.1903-U-ESD 

### DIMENSIONS



## ACCESSORIES AND SPARE PARTS

### NEXIUSZOOM

<b>NZ.5302</b>	NexiusZoom binocular head with eyepieces
<b>NZ.5303</b>	NexiusZoom trinocular head with eyepieces
<b>NZ.6010</b>	Pair of HWF 10x / 22 mm eyepieces
<b>NZ.6015</b>	Pair of HWF 15x / 16 mm eyepieces
<b>NZ.6020</b>	Pair of HWF 20x / 12 mm eyepieces
<b>NZ.6110</b>	HWF 10x / 22 mm eyepiece with micrometer
<b>NZ.6099</b>	Pair of eyecups
<b>NZ.8905</b>	Auxiliary lens 0.5x. Working distance 165 mm (not suitable for NZ.1902-S and NZ.1903-S)
<b>NZ.8907</b>	Auxiliary lens 0.75x. Working distance 120 mm
<b>NZ.8915</b>	Auxiliary lens 1.5x. Working distance 45 mm
<b>NZ.8920</b>	Auxiliary lens 2.0x. Working distance 30 mm (not suitable for NZ.1902-S and NZ.1903-S)
<b>NZ.8950</b>	Protection glass for NexiusZoom head
<b>NZ.9010</b>	Ergonomic rack & pinion stand (with transmitted and incident LED illuminators)
<b>NZ.9015</b>	Ergonomic pillar stand (with transmitted and incident LED illuminators)
<b>NZ.9020</b>	Universal (single arm) stand (without NexiusZoom head holder)

### NEXIUSZOOM ESD

<b>NZ.5302-ESD</b>	NexiusZoom binocular head with eyepieces
<b>NZ.5303-ESD</b>	NexiusZoom trinocular head with eyepieces
<b>NZ.6010-ESD</b>	Pair of HWF 10x / 22 mm eyepieces
<b>NZ.6015-ESD</b>	Pair of HWF 15x / 16 mm eyepieces
<b>NZ.6020-ESD</b>	Pair of HWF 20x / 12 mm eyepieces
<b>NZ.6110-ESD</b>	HWF 10x / 22 mm eyepiece with micrometer
<b>NZ.8905-ESD</b>	Auxiliary lens 0.5x. Working distance 165 mm (not suitable for NZ.1902-S and NZ.1903-S)
<b>NZ.8907-ESD</b>	Auxiliary lens 0.75x. Working distance 120 mm
<b>NZ.8915-ESD</b>	Auxiliary lens 1.5x. Working distance 45 mm
<b>NZ.8920-ESD</b>	Auxiliary lens 2.0x. Working distance 30 mm (not suitable for NZ.1902-S and NZ.1903-S)
<b>NZ.8950-ESD</b>	Protection glass for NexiusZoom head
<b>NZ.9010-ESD</b>	Ergonomic rack & pinion stand (with transmitted and incident LED illuminators)
<b>NZ.9015-ESD</b>	Ergonomic pillar stand (with transmitted and incident LED illuminators)
<b>NZ.9020-ESD</b>	Universal (single arm) stand (without NexiusZoom head holder)

### NEXIUSZOOM AND NEXIUSZOOM ESD

<b>NZ.9030</b>	Boom (double arm) stand (without NexiusZoom head holder)
<b>NZ.9090</b>	NexiusZoom head holder (for NZ.9020 and NZ. 9030)
<b>NZ.9025</b>	Articulated arm stand with table clamp (without NexiusZoom head holder)
<b>NZ.9081</b>	NexiusZoom head holder (for articulated arm stand NZ.9025)
<b>AE.5168-NZ</b>	Heating stage with PID controller up to 50oC
<b>NZ.9950</b>	Standard opaque stage plate
<b>NZ.9956</b>	Black/white stage plate
<b>NZ.9570</b>	Pair of object clamps for stage
<b>NZ.9833</b>	C-mount adapter with 0.33x lens for 1/3" cameras (suitable for trinocular models)
<b>NZ.9850</b>	C-mount adapter with 0.5x lens for 1/2" cameras (suitable for trinocular models)
<b>AE.5130</b>	Universal SLR camera adapter with 2x projection lens for 23.2 mm tubes. Need T2 adapter
<b>AE.5025</b>	T2 adapter for Nikon D digital SLR cameras
<b>AE.5040</b>	T2 adapter for Canon EOS digital SLR cameras Other T2 adapters on request
<b>LE.1972</b>	Ring illuminator with 60 LEDs with adjustable light intensity. External mains adapter 100-240 V. With segment controller. Brightness of 8.500 Lux at height of 100 mm and color temperature of 6.400K. Max. internal mounting diameter 60 mm
<b>LE.1973</b>	Ring illuminator with 144 LEDs with adjustable light intensity. External mains adapter 100-240 V. With segment controller. Brightness of 20.000 Lux at height of 100 mm and color temperature of 6.400K. Max. internal mounting diameter 60 mm
<b>AE.1112</b>	Object micrometer 50 mm (divided in 500 parts on glass slide 76 x 26 mm)
<b>50.876</b>	Dark field attachment